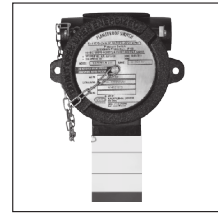


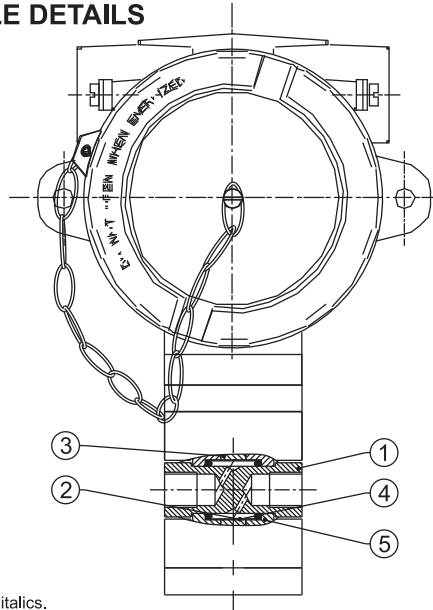
HIGH RANGE DP FC/FE



FE



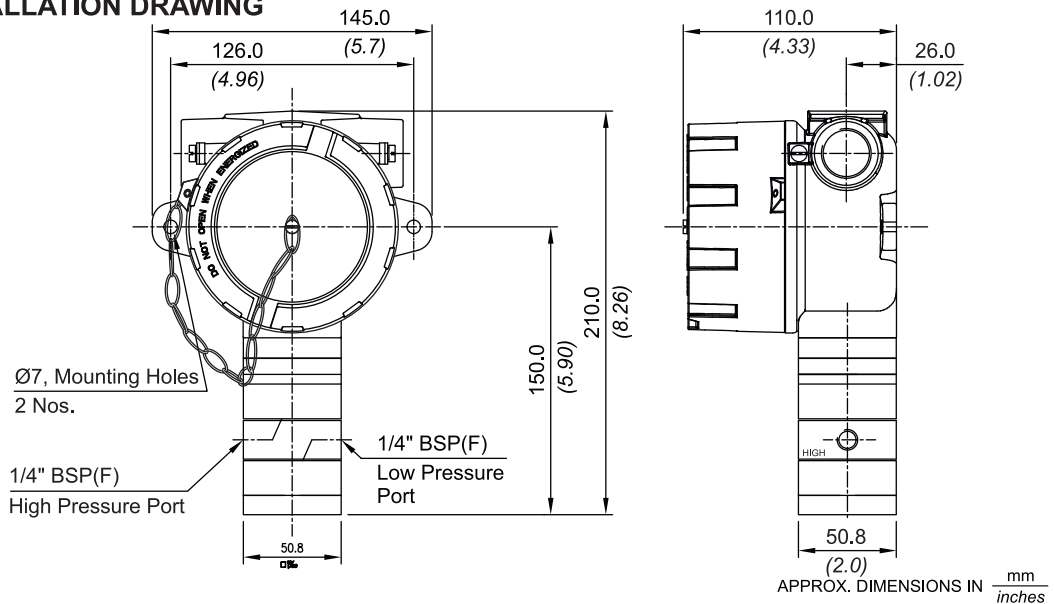
PRESSURE CAPSULE DETAILS



- No. Description**
1. Pressure Housing
 2. Diaphragm
 3. Plunger
 4. O-Ring
 5. Disc

Note : wetted parts are mentioned in italics.

INSTALLATION DRAWING



FC/FE HIGH RANGE DP

RANGE SELECTION TABLE

Range Code	Range bar (psi) <i>(1.45 to 14.50)</i>	Differential* bar (psi)	Maximum Working Pressure bar (psi) <i>(1015.26)</i>
		Approximate Maximum for "A1" microswitch	
D01	0.1 to 1.0 <i>(1.45 to 14.50)</i>	0.10 <i>(1.45)</i>	70.0 <i>(1015.26)</i>
D02	0.1 to 1.5 <i>(1.45 to 21.76)</i>	0.15 <i>(2.17)</i>	70.0 <i>(1015.26)</i>
D03	0.2 to 2.6 <i>(2.90 to 37.71)</i>	0.2 <i>(2.90)</i>	70.0 <i>(1015.26)</i>
D04	0.2 to 3.6 <i>(2.90 to 52.21)</i>	0.4 <i>(5.80)</i>	70.0 <i>(1015.26)</i>
D07	0.5 to 7.0 <i>(7.25 to 101.53)</i>	0.6 <i>(8.70)</i>	70.0 <i>(1015.26)</i>
D10	0.5 to 10.0 <i>(7.25 to 145.038)</i>	1.0 <i>(14.50)</i>	70.0 <i>(1015.26)</i>
D15	1.0 to 15.0 <i>(14.50 to 217.56)</i>	1.5 <i>(21.75)</i>	70.0 <i>(1015.26)</i>
D30	5.0 to 25.0 <i>(72.52 to 362.59)</i>	2.0 <i>(29.00)</i>	70.0 <i>(1015.26)</i>

Note:

1. The minimum differential increases with the setpoint. The differential values mentioned in the above table are approximate maximum for FSR. The differential value will vary according to the pressure range selected and microswitch type. For actual values of differential please contact sales office.

2. When using 2SPDT switching arrangement, both microswitches may not actuate and/or deactuate at the same point. A small stage gap, normally upto +/- 5% FSR (depending on range code) may be observed. The On-Off differential (hysteresis) typically tends to be atleast double of those published for 1SPDT pressure switches.

If actuation and/or deactuation at same point is critical part of operation, then it can be achieved by using a separate DPDT relay. This relay will need a separate power supply for it's coil.

